



Experience Relaxation



## HydroJet

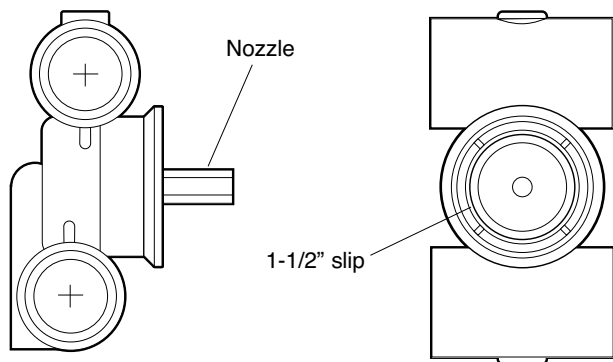
Designed for concrete pool and spa construction

- Available with a 1.5" slip socket
- Designed for maximum performance
- Flexibility for varying wall thicknesses
- High quality clear PVC with extended nozzle
- Uses a standard wall fitting



**BALBOA**  
water group

# HydroJet



The jet body is available with a 1.5" slip socket that accepts standard 1.5" PVC pipe, providing maximum performance and flexibility for varying wall thicknesses.



JET0309

© 2009 Balboa Water Group. Your Single Source Solution. All rights reserved.  
1382 Bell Avenue | Tustin, CA 92780 | p 714.384.0382 | [www.balboawatergroup.com](http://www.balboawatergroup.com)

**BALBOA**  
water group