



PerseusBlower

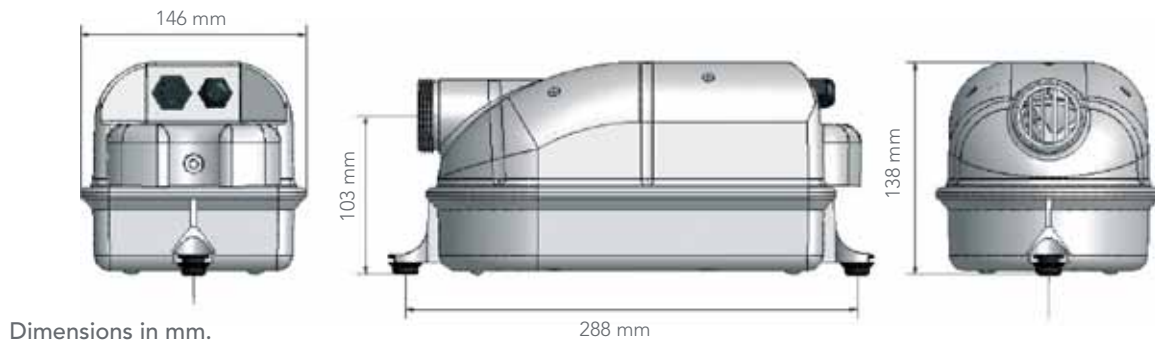
A Compact Blower for Whirlpool and Spa

- Easy installation
- Excellent performance
- Ingress protection: IPx5
- Recommended for variable speed control
- For both electronic and pneumatic use (with built in pneumatic switch)



CompactBlower

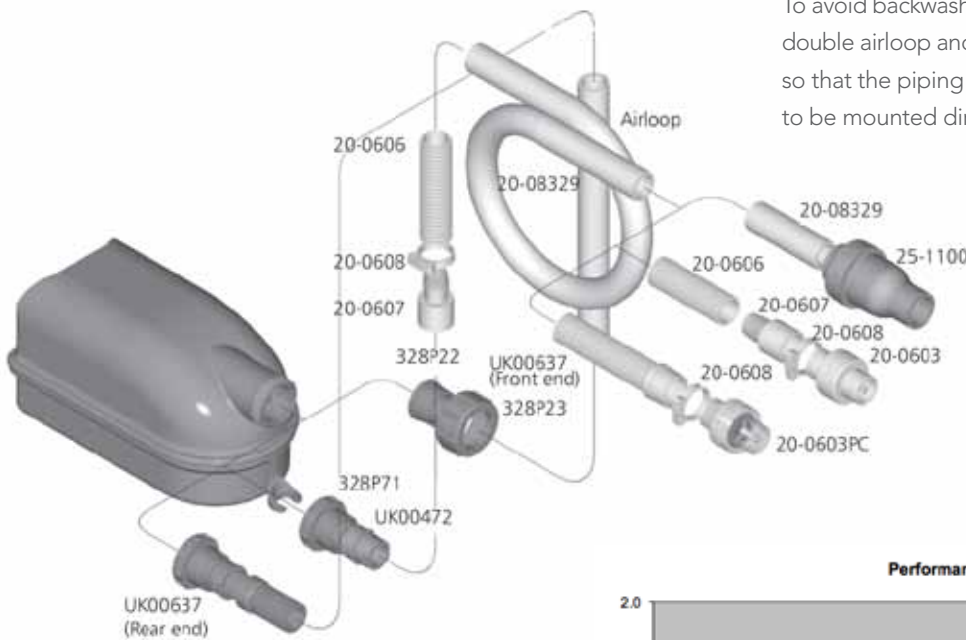
An excellent combination of compact design and brilliant performance has been developed into this whirlpool blower. The blower is designed to fit compact whirlpool systems where space is limited. Along with easy installation, the union and positioning of the mounting points ensure both quick and flexible installation. Accessories include complete air jet systems, metric and imperial unions and flexible air hoses. The Perseus blower is approved according to European norms.



PerseusBlowerDiagram

TIPS AND SAFETY GUIDELINES

To avoid backwash of water into the blower, always install a double airloop and check valve on the water side of the airloop, so that the piping is above water level twice. The blower is not to be mounted directly on the floor for safety reasons.



ModelOverview

425W				
Material No.	Total W	Heater W	V/Hz	Pneumatic
22-60415	425	-	230/50Hz	X

