

Relax - you've bought
a Balboa...



The Balboa Bath Pump

Powerful. Compact. Proven Reliability.

- AU and NZ Certification
- Self-draining Volute
- Ultra Quiet Operation And Compact Design
- 2.7, 4.1, 4.3 Amperage Export International
- European Plug, Australian Plug, or Bare Leads

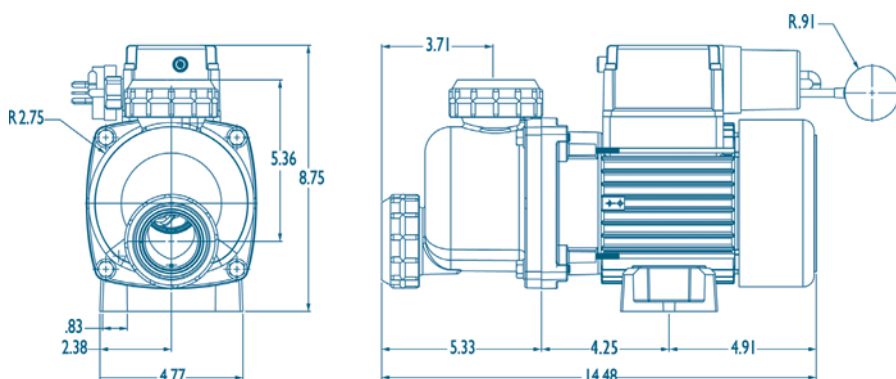


BALBOA
water group

BalboaBathPump

Onga Spa and Bath products have been acquired by BWG (Balboa Water Group) in December of 2008. Onga is one of the best known brands in its field, with a strong international reputation for reliability, value, technological innovation and service in over 80 countries. BWG, the leading manufacturer of spa and bath products in the world, is now the proud manufacturer of these products.

These Balboa pumps are the quietest in the industry. They offer maximum energy efficiency for lower operating costs, as well as no water retention for perfect hygiene, water resistant enclosures, and multiple levels of safety for your peace of mind.



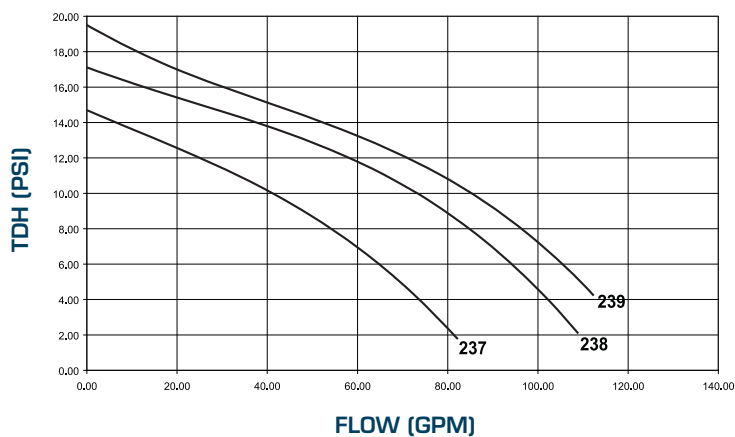
FEATURES

- 230 Volts
- Highly Efficient Motor
- Self-draining Volute
- TEFC IPX5 Design
- AU / NZ Certification
- Quiet Operation

OPTIONS

- 50Hz or 60Hz
- European plug, Australian plug or Bare leads

50Hz PERFORMANCE CURVE Export International Model



Plumbing configuration affects pump performance. Engineering consultation is available to help you find the best pump for all your bath needs.

BALBOA0710

©2010 Balboa Water Group. All rights reserved. Your Single Source Solution.

1382 Bell Avenue | Tustin, CA 92780 | p 714.384.0382 | www.balboawatergroup.com

BALBOA
water group