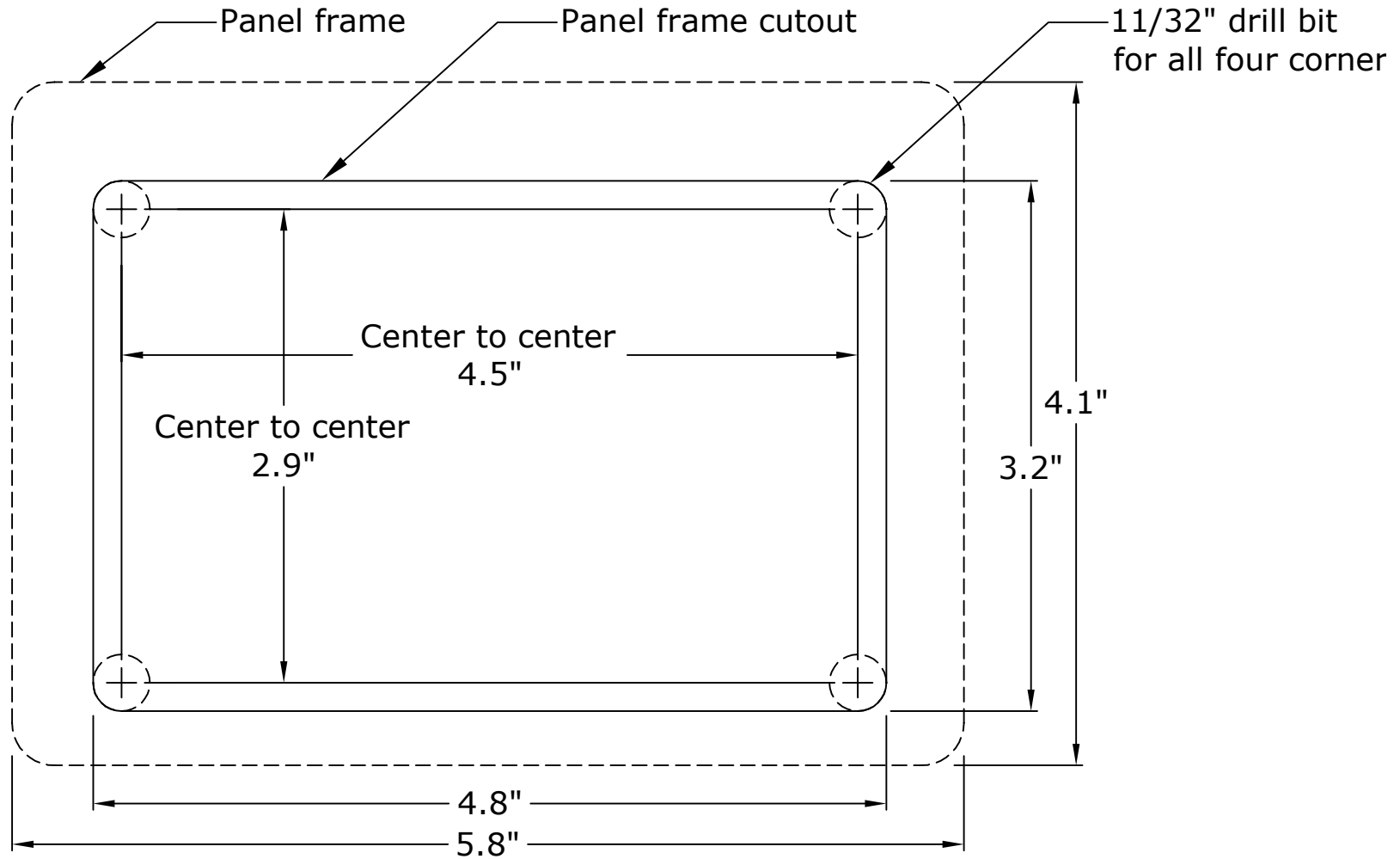


ST2T Cutout Template



NOTE:

To print actual size, set Page Scaling to NONE in the Acrobat print dialog.